

## YNCP Series

### High clamping torque

Air hydraulic clamping mechanism gives high clamping torque.

### Rigid bearing structure

Since the table shaft is supported by large bearings, displacement by load will be smallest. Centering of jig/work piece is easy.

### Accurate indexing

Accurate indexing is available by durable worm wheel of special alloy. Indexing accuracy of YNCP250 is within 20 seconds cumulatively.

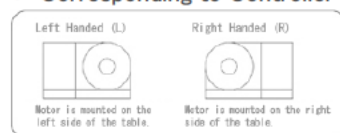


- Light weight • Compact ■ Easy jig designing
- Easy maintenance ■ Outstanding water protection Unit: mm

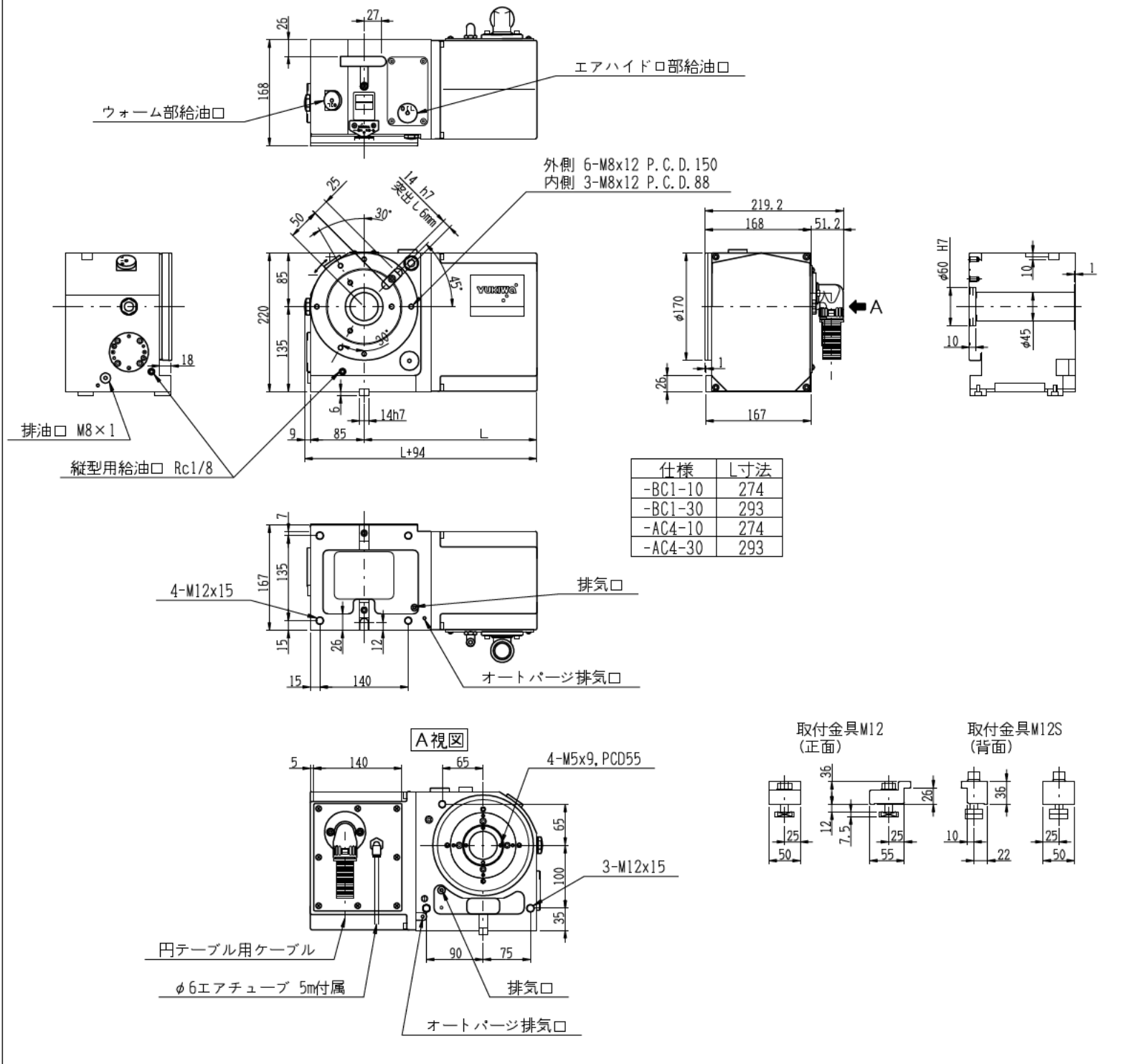
Model	Right-Handed	YNCP170R	YNCP200R	YNCP250R
	Left-Handed	YNCP170L	YNCP200L	YNCP250L
Table diameter		170	200	250
Center height		135	160	200
Table faucet diameter		60H7depth10	70H7depth10	90H7depth10
Table center through hole diameter		45	56	72
Clamp system	Air pressure (0.3~0.5MPa)			
Clamp torque (N·m)		550 (0.5MPa)	850 (0.5MPa)	1,050 (0.5MPa)
Indexing accuracy (Cumulative)		Within 30 seconds	Within 25 seconds	Within 20 seconds
Allowable operation load (N)	Vertical load	9,000	10,000	11,000
	Horizontal load	4,000	6,000	7,000
	Circumferential load	4,000	6,200	7,000
Allowable inertia Moment (kg·m <sup>2</sup> )	During vertical use	0.5	1.0	2.0
	During horizontal use	0.25	0.5	1.0
Total reduction ratio		1/90	1/90	1/90
Maximum rotation (min <sup>-1</sup> )		33.3	33.3	33.3
Guide piece width		14h7	18h7	18h7
Weight (kg)		43	69	114
		<a href="#">O.D. PDF</a>	<a href="#">O.D. PDF</a>	<a href="#">O.D. PDF</a>

\* Guide piece (2pcs), Fixtures (2sets), Air tube (5m) for table clamping are attached.

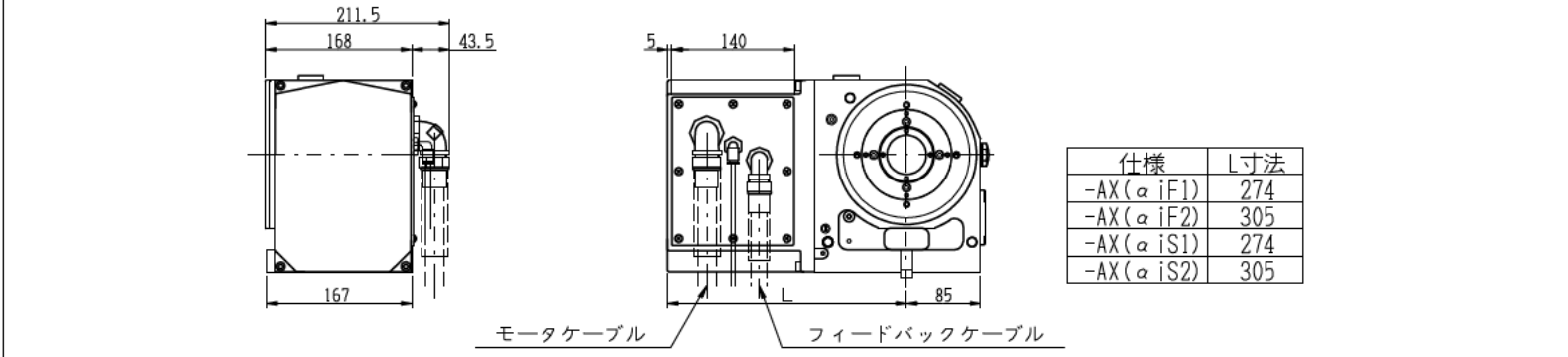
\* Corresponding to Controller for CNC rotary table or to motor for additional axis.



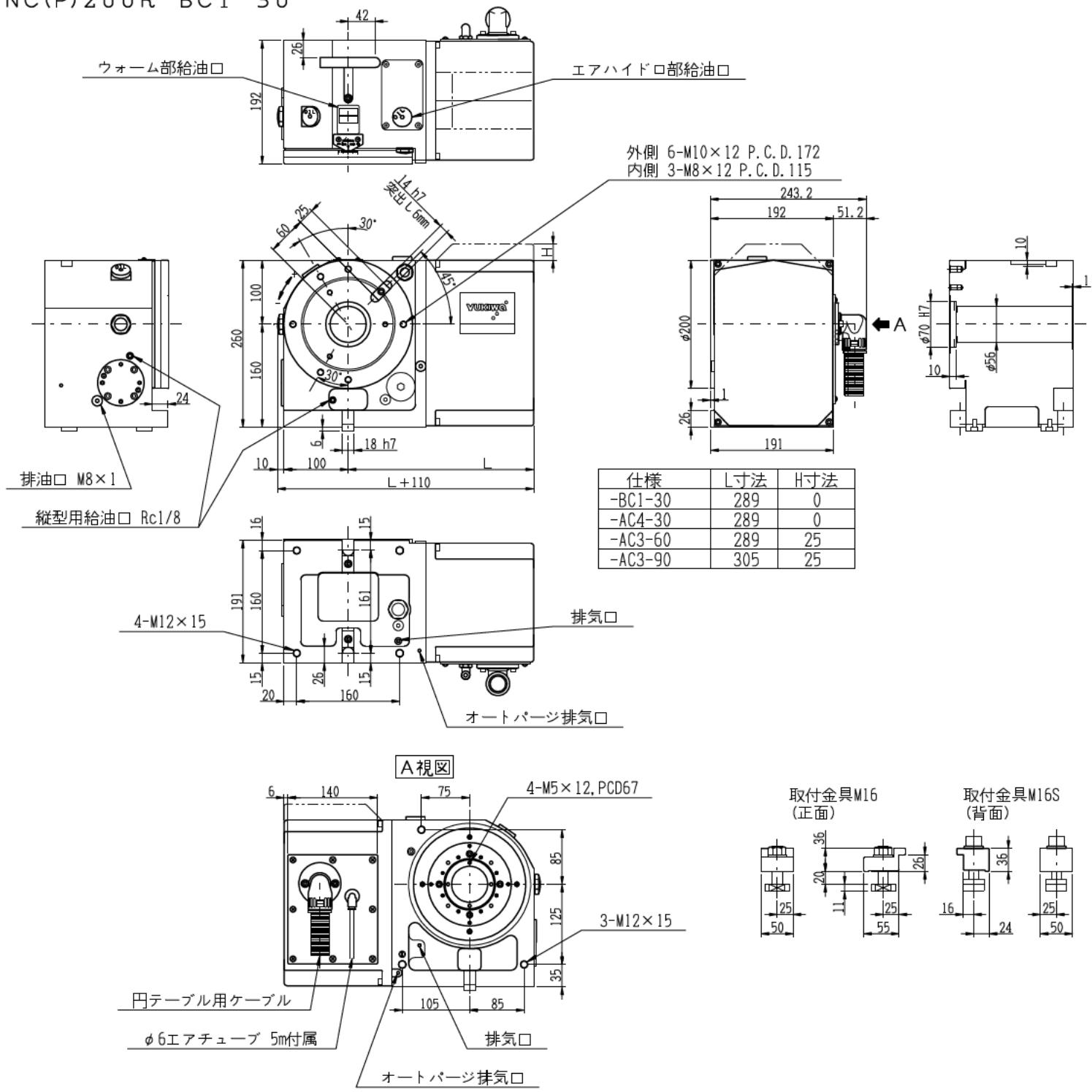
YNC(P)170R-AC4-10/30  
 YNC(P)170R-BC1-10/30



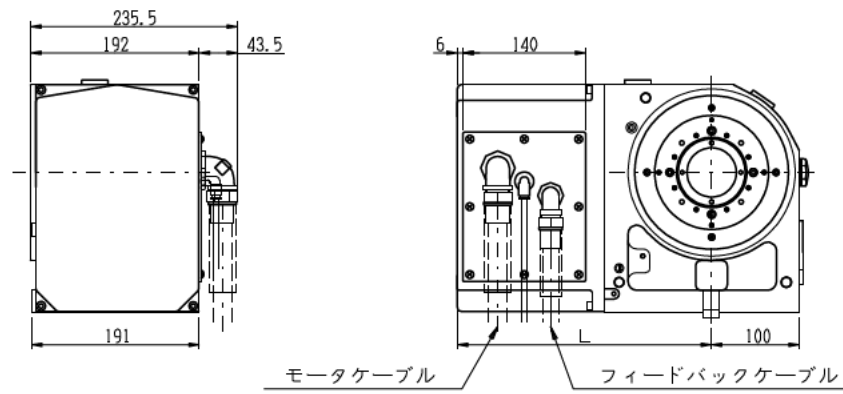
YNC(P)170R-AX (FANUC α iF1)  
 YNC(P)170R-AX (FANUC α iF2)  
 YNC(P)170R-AX (FANUC α iS2)  
 YNC(P)170R-AX (FANUC α iS4)  
 ※注記の無い寸法は、コントローラ付仕様と同じです。



YNC(P)200R-AC4-30  
 YNC(P)200R-AC3-60/90  
 YNC(P)200R-BC1-30

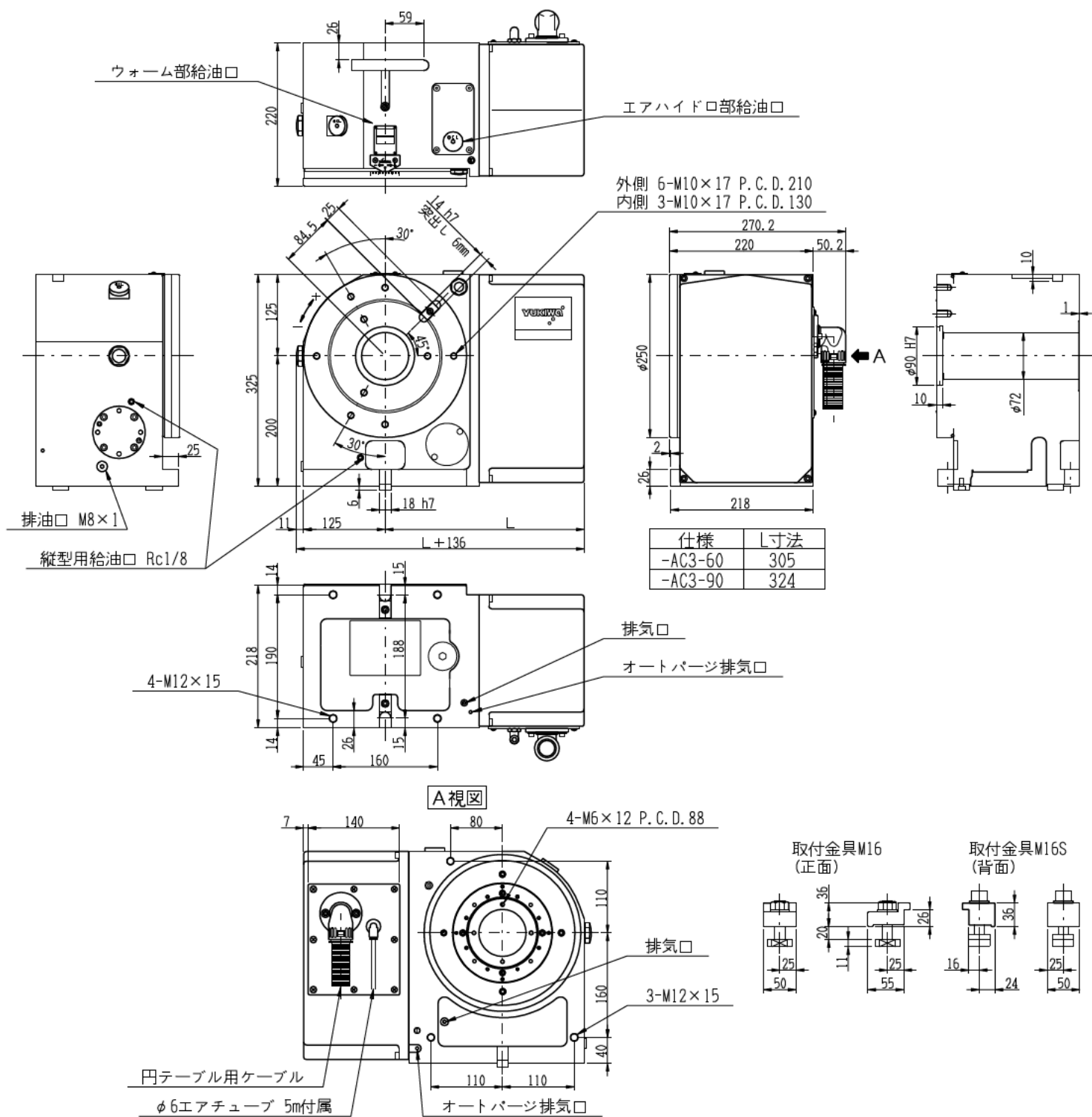


YNC(P)200R-AX (FANUC α iF4)  
 YNC(P)200R-AX (FANUC α iF8)  
 ※注記の無い寸法は、コントローラ付仕様と同じです。



仕様	L寸法
-AX(α iF4)	320
-AX(α iF8)	380

YNC(P)250R-AC3-60/90



YNC(P)250R-AX (FANUC α iF8)

※注記の無い寸法は、コントローラ付仕様と同じです。

