

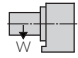
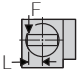
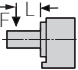
RT-147, 251

MULTI-FACE PLATE, MULTI-SPINDLE TABLE

The RT-147 and RT-251 have been designed for use on horizontal machining centers. The RT-147 and RT-251 are available with dual or quad face plates and can be accessorized with a swivel box for cable management. These tables are typically equipped with rotary joints for use in high production machining environments.



RT-147

Table Model		RT-147	RT-251
Table diameter	mm	160 x (2,4)	200 x (2,4)
Center height	mm	135 & 315	135 & 385
Center bore	Nose Diameter	mm	55H7
	Thru Diameter	mm	40
Table T-slot width		12H8	12H8
Guide block width		14h7	14h7
Servo motor (Fanuc)*		Alpha 4i	Alpha 4i
Maximum motor speed	rpm	5,000	5,000
Speed reduction ratio		1/90	1/90
Maximum table speed	rpm	55.5	55.5
Inertia converted into motor shaft	$\times 10^{-3}\text{kg}\cdot\text{m}^2$.25	.25
Clamp system		Pneumatic	Hydraulic**
Clamp torque @72psi	Nm (ft. lbs.)	156 (115)	-
Clamp torque @500psi	Nm (ft. lbs.)	-	210 (154)
Indexing accuracy	arc sec.	±22.5	
Net Weight	kg (lbs.)	100 (220) quad	135 (297) quad
Allowable wheel torque	Nm (ft. lbs.)	147 (108)	264 (194)
Allowable work inertia	kg·m ²	.48	.48
Allowable work weight	 kg (lbs)	75/face plate (165/face plate)	75/face plate (165/face plate)
Allowable load when table clamped	 Nm (ft. lbs.)	156 (115)	264 (194)
	 Nm (ft. lbs.)	392 (289)	392 (289)

* Other motors & RPM available

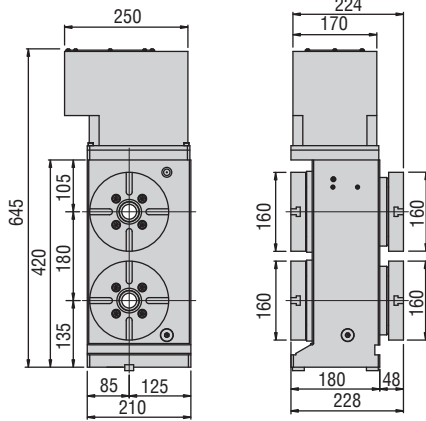
** Booster optional

Specifications subject to change without notice

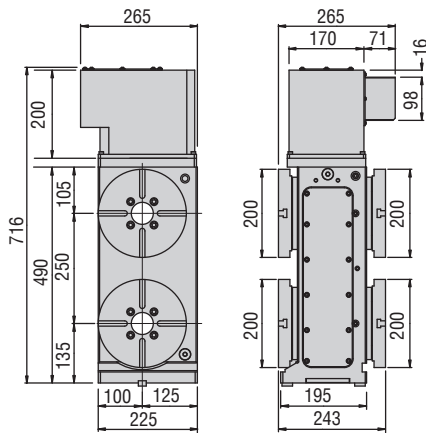
Dimensions

Drawings not to scale • Dimensions = mm

RT-147



RT-251



The dimensions above are for tables with a FANUC servo motor. Other motors available (dimensions may increase).

RT-251

The RT-251 shown below is a twin spindle, quad face plate rotary table typically pallet mounted on a horizontal machining center. This table is equipped with an optional air/hydraulic booster and a swivel box for cable management.



Options & Accessories

TPC NC Controller	
Chucks	
Tailstock	
Support Spindle	
Face Plate	
Encoder / Scale	
Pull Stud Device	
Rotary Joint	
PVC Cables	

Clamping Block and Bolt

Dimensions = mm

	Type	Q'ty	T-Slot Width	A	B	C	D	E	F	G	H	I	J	K	L	M
RT-147	II	4	18	25	15	52	12	15	25	40	21	11	85	40	28	16
RT-251	II	4	18	25	15	52	12	15	25	40	21	11	85	40	28	16

Note: When using a machine with a T-slot pitch other than the above, use suitable clamping blocks and bolts that are available on the market, or order custom-made ones (opt.)

Type II

