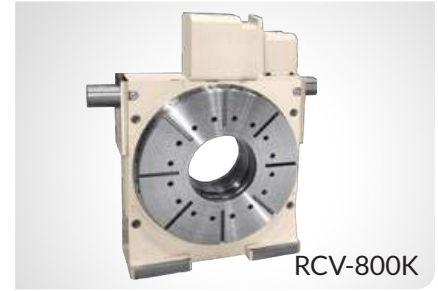


# RCV-800K, 1000K, 1250K

HIGH CAPACITY • LARGE THRU HOLE

The RCV-Series rotary tables feature an extra large thru hole for accommodating large workpieces. The RCV-800 can be equipped with either an 800mm or an optional 1,000mm face plate, and the RCV-1000 can hold either a 1,000mm or an optional 1,200mm face plate.



RCV-800K

Table Model		RCV-800K	RCV-1000K	RCV-1250K
Table diameter (optional)	mm	800 (1,000)	1,000 (1,200)	1,250 (1,500)
Center height	mm	530	625	775
Center bore	Nose Diameter	360H7 x 45	410H7 x 65	500H7 x 25
	Thru Diameter	310	360	450
Table T-slot width		18H7	22H7	22H7
Guide block width		22h7		
Servo motor (Fanuc)*		Alpha 12i	Alpha 22i	Alpha 22i
Maximum motor speed	rpm	4,000	3,000	3,000
Speed reduction ratio		1/360	1/360	1/720
Maximum table speed	rpm	11.1	8.33	4.16
Inertia converted into motor shaft	$\times 10^{-3} \text{kg}\cdot\text{m}^2$	4.89	12.2	5.04
Clamp system**		Hydraulic		
Clamp torque @500psi	Nm (ft. lbs.)	7,000 (5,159)	20,000 (14,740)	33,000 (24,321)
Indexing accuracy	arc sec.	±7.5		
Repeatability	arc sec.	±2		
Net Weight	kg (lbs.)	1,450 (3,190)	2,500 (5,500)	4,850 (10,670)
Allowable wheel torque	Nm (ft. lbs.)	7,840 (5,778)	13,230 (9,751)	25,000 (18,425)
Allowable work inertia	$\text{kg}\cdot\text{m}^2$	320	874	2,734
Allowable work weight	kg (lbs) [w/ tailstock]	2,000 (4,400) [4,000 (8,000)]	3,500 (7,700) [7,000 (15,400)]	7,000 (15,400) [14,000 (30,800)]
	kg (lbs)	4,000 (8,800)	7,000 (15,400)	14,000 (30,800)
Allowable load when table clamped	N (lbf)	100,000 (22,400)	185,000 (41,440)	383,000 (85,792)
	Nm (ft. lbs.)	7,000 (5,159)	20,000 (14,740)	33,000 (24,321)
	Nm (ft. lbs.)	11,600 (8,550)	22,900 (16,877)	56,700 (41,788)

Dimensions = mm

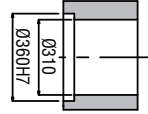
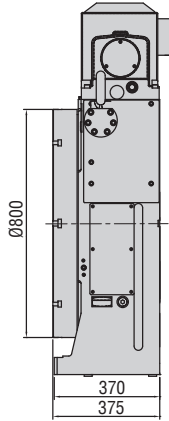
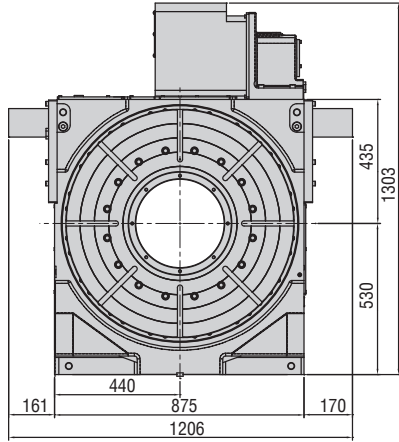
\*Other motors & RPM available

\*\*Booster optional

Specifications subject to change without notice

Drawings not to scale • Dimensions = mm

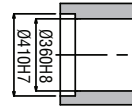
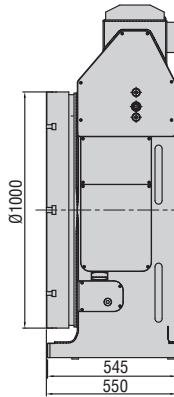
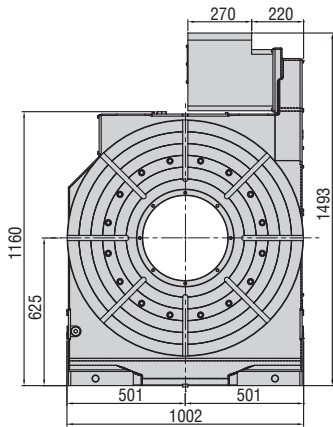
**RCV-800K**



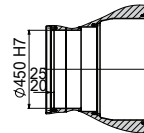
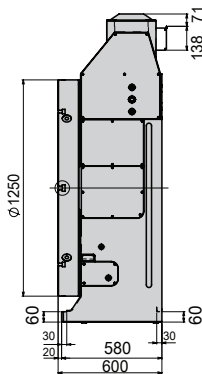
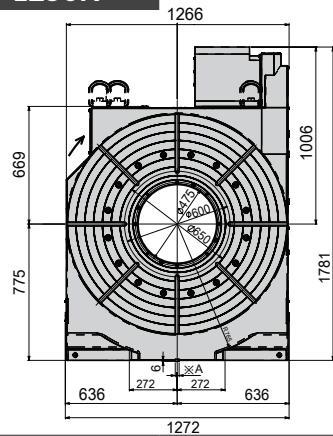
• RCV-800K



**RCV-1000K**



**RCV-1250K**



**Options & Accessories**

TPC NC Controller	
Chucks	
Tailstock	
Support Spindle	
Face Plate	
Encoder / Scale	
Pull Stud Device	
Rotary Joint	
PVC Cables	

The dimensions above are for tables with a FANUC servo motor. Other motors available (dimensions may increase).

**Clamping Block and Bolt**

Dimensions = mm

	Type	Q'ty	T-Slot Width	A	B	C	D	E	F	G	H	I	J	K	L	M
RCV-800K	II	4	22	60	28	95	29	16	50	88	27	13	145	100	32	20
RCV-1000K	II	4	22	60	28	95	29	16	50	88	27	13	145	100	32	20
RCV-1250K	II	8	22	60	28	95	29	16	50	88	27	13	145	100	32	20

Note: When using a machine with a T-slot pitch other than the above, use suitable clamping blocks and bolts that are available on the market, or order custom-made ones (opt.)

**Type II**

