

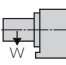
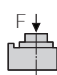
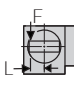
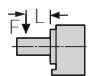
RCH-800L, 1000L, 1250L | RNC-1501L, 2001L

HEAVY DUTY TABLES • LARGE PART CAPACITY

The RNC-Series extra large, high capacity rotary tables are designed for horizontal use only. The RNC tables feature high rigidity and massive clamp torque for extremely accurate machining of heavy workpieces.



RNC-1250L

Table Model		RCH-800	RCH-1000	RCH-1250	RNC-1501	RNC-2001
Versions Available		L	L	L	L	L
Table diameter	mm	800	1,000	1,250	1,500	2,000
Table height	mm	320	330	410	400	620
Center bore	Nose Diameter	mm	60H7	75H7	75H7	225H7
Table T-slot width		18H7	22H7	22H7	28H7	28H7
Guide block width		22h7	-	-	-	-
Servo motor (Fanuc)*		Alpha 12i	Alpha 22i	Alpha 22i	Alpha 22i	Alpha 30i
Maximum motor speed	rpm	4,000	3,000	3,000	3,000	2,000
Speed reduction ratio		1/360	1/360	1/720	1/720	1/720
Maximum table speed	rpm	11.1	8.3	4.2	4.2	2.8
Inertia converted into motor shaft		x 10 ⁻³ kg·m ²	4.3	12.8	5.2	5.6
Clamp system**		Hydraulic				
Clamp torque @500psi	Nm (ft. lbs.)	7,000 (5,056)	20,000 (14,740)	33,000 (24,321)	9,800 (7,223)	19,600 (14,445)
Indexing accuracy		arc sec. ±7.5				
Net Weight	kg (lbs.)	1,200 (2,640)	1,500 (3,300)	3,100 (6,820)	3,600 (7,920)	8,000 (17,600)
Allowable wheel torque	Nm (ft. lbs.)	7,840 (5,778)	13,230 (9,751)	21,560 (15,890)	21,560 (15,890)	49,000 (36,113)
Allowable work inertia		kg·m ²	120	392	2,255	2,255
Allowable work weight	 kg (lbs)	3,000 (6,600)	7,000 (15,400)	14,000 (30,800)	14,000 (30,800)	36,000 (79,200)
Allowable load when table clamped	 N (lbf)	83,000 (18,592)	164,000 (36,736)	383,000 (50,400)	265,000 (59,360)	397,000 (88,928)
	 Nm (ft. lbs.)	6,860 (5,056)	20,000 (14,740)	33,000 (24,321)	9,800 (7,223)	19,600 (14,445)
	 Nm (ft. lbs.)	10,400 (7,664)	19,700 (14,518)	33,400 (24,615)	46,800 (34,491)	93,100 (68,614)

* Other motors & RPM available

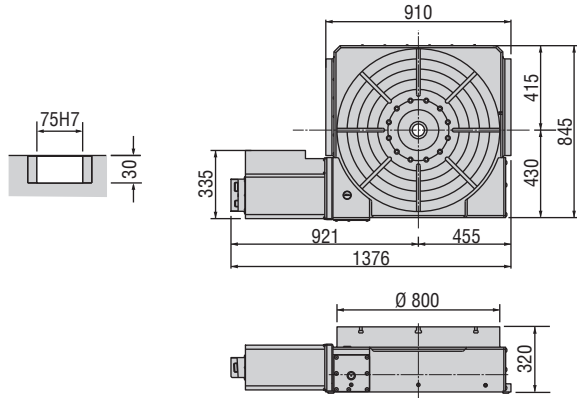
** Booster optional

Specifications subject to change without notice

Dimensions

Drawings not to scale • Dimensions = mm

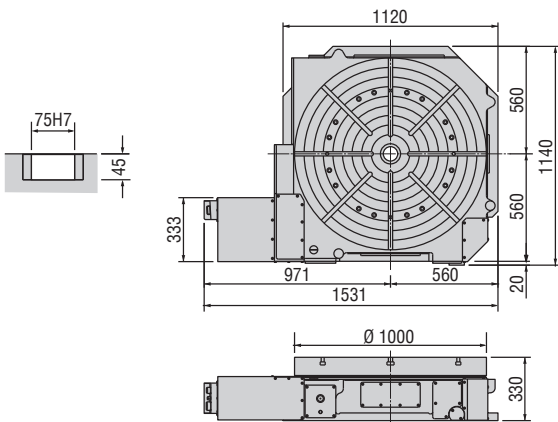
RCH-800L



RNC-2001L



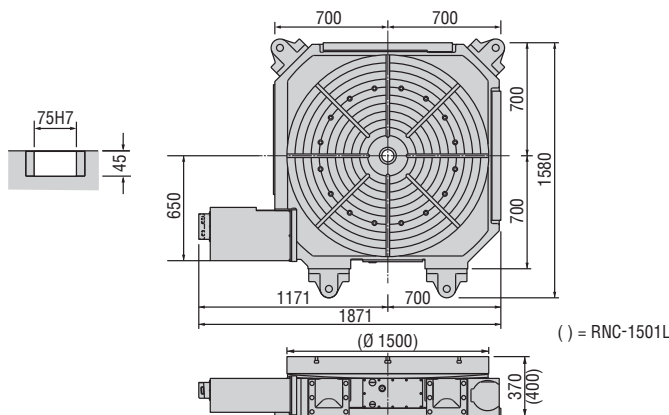
RCH-1000L



OPTIONAL TPC5 SERIES
NC Controller



RNC-1501L



() = RNC-1501L

Options & Accessories

TPC NC Controller	
Chucks	
Support Spindle	
Encoder / Scale	
Rotary Joint	
Air/Hydraulic Booster	
PVC Cables	

The dimensions above are for tables with a FANUC servo motor. Other motors available (dimensions may increase).

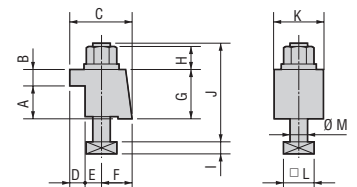
Clamping Block and Bolt

Dimensions = mm

	Type	Q'ty	T-Slot Width	A	B	C	D	E	F	G	H	I	J	K	L	M
RCH-800L	II	4	22	40	20	85	24	20	41	60	27	13	115	80	32	20
RCH-1000L	II	4~8	22	40	20	85	24	20	41	60	27	13	115	80	32	20
RCH-1250L	II	4~8	22	50	20	74	20	18	36	70	27	13	130	70	32	20
RNC-1501L	IV	4~8	28	50	20	74	20	18	36	77	15	17.5	120	70	41	24
RNC-2001L	IV	4~8	28	50	20	74	20	18	36	76	22	24	120	70	41	24

Note: When using a machine with a T-slot pitch other than the above, use suitable clamping blocks and bolts that are available on the market, or order custom-made ones (opt).

Type II



Type IV

