

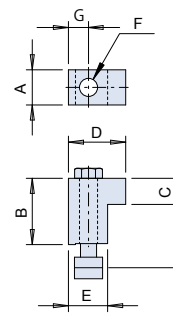
## Mounting Accessories

### Specifications

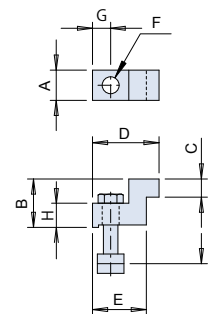
Series	Size	Mounting Type	Qty. Used
RCC	170	e	2
	200	f	4
	250	c	4
	320	c	4
	400	d	4
RS	100	a	2
	170	b	4
	200	b	4
	240	b	4
RT	80	b	4
	100	b	4
	160	b	4

### Dimensions for Each Type

Mounting Type	Dimensions							
	A	B	C	D	E	F	G	H
a	30	35	15	45	35	14 drill	15	—
b	30	40	15	45	35	14 drill	15	—
c	30	50	20	45	30	18 drill	15	—
d	35	66	26	57	39	18 drill	20	—
e	25	40	15	55	44.5	14 drill	15	20
f	35	40	15	53	38	18 drill	19	—



abcdf type



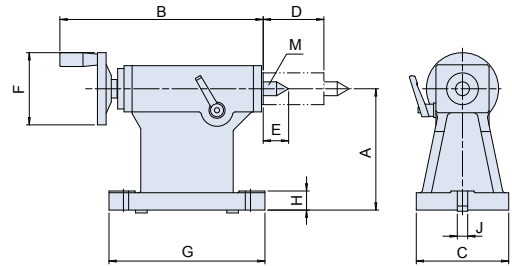
e type

\* T-nut and hex bolts not included

## Tailstock

### Dimension Drawings

Model (Tentative)	Center height	Applicable model	Size									
			A	B	C	D	E	F	G	H	J	M
TM115	115	RS170	115	270	115	85	32	φ100	180	18	14	MT#2
TM125	125	RS100, RS200	125	270	115	85	32	φ100	180	21	14	MT#2
TM132	132	RS240	132	270	115	85	32	φ100	180	21	14	MT#2
TM150	150	RCC170	150	352	180	105	44	φ100	270	33	14	MT#3
TM165	165	RCC200	165	352	180	105	44	φ100	270	33	18	MT#3
TM210	210	RCC250	210	352	160	105	44	φ100	270	33	18	MT#3
TM255	255	RCC320	255	352	160	105	44	φ100	270	33	18	MT#3
TM300	300	RCC400	300	398	220	135	46	φ150	295	43	18	MT#4



## Support Table

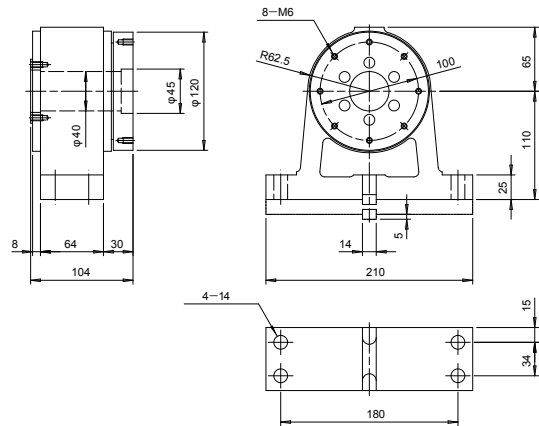
### Model Code Example for RCC Series

SS150-C-H165 (For the RCC200 with clamp)  
SS150-H150 (For the RCC170)

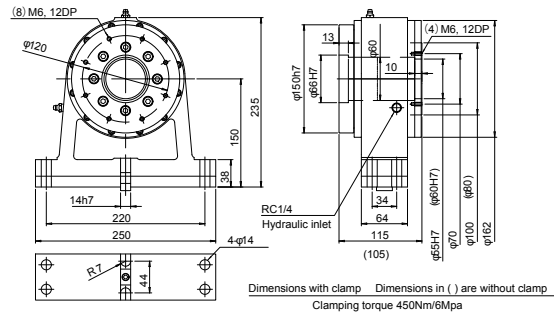
	Center height	Clamping torque	Product weight
SS110	110mm	—	10 kg
SS150	150mm	450N·m	16.4 (19.3) kg
SS210	210mm	1700N·m	57.5 (62.5) kg

Series	Size	Center height	Support spindle Without clamp	Spacer thickness [mm]
RS	100	125	SS110	15
	170	115	SS110	5
	200	125	SS110	15
	240	132	SS110	22
RCC	170	150mm	SS150	15mm
	200	165mm	SS150	30mm
	250	210mm	SS210	20mm
	320	255mm	SS210	65mm
	400	300mm	SS210	110mm

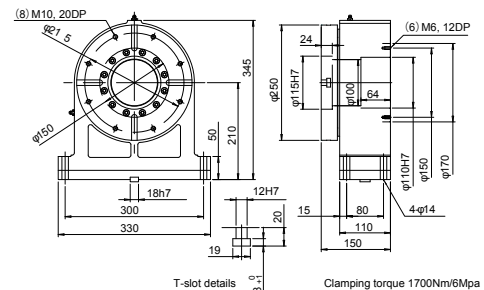
SS110



SS150



SS210



## Rotary Joints

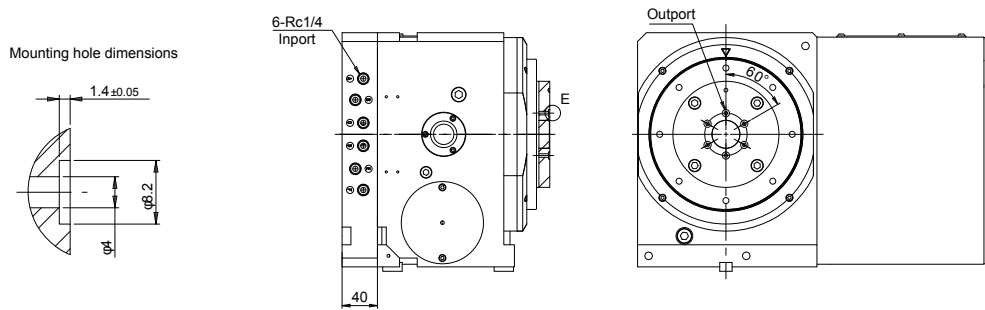
### Specifications

Model	Size	Max number of ports		Maximum actuation pressure
		Built-In	External	
RCC	170	6	6+1	Actuation fluid: Hydraulic pressure 6 MPa
	200	6	6+1	
	250	6	6+1	
	320	6	6+1	
	400	6	6+1	
RS	100	4	-	Actuation fluid: Air 0.7 MPa
	170	5	-	
	200	5	-	
	240	5	-	
RT	80	-	-	
	100	2	-	
	160	2	-	

- \* 1 The +1 indicates the port that in the center bore.
- \* 2 Make sure to furnish a line filter in the air supply line.
- \* 3 Under prolonged used, a small amount of actuation oil may leak from an oil port toward the adjacent air port. If possible, the adjacent ports should be left open for use as drain ports.

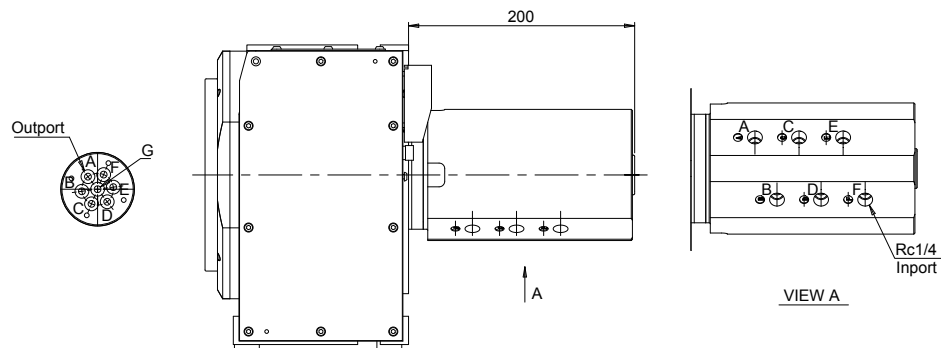
### Built-In

#### RCC170 - RCC400

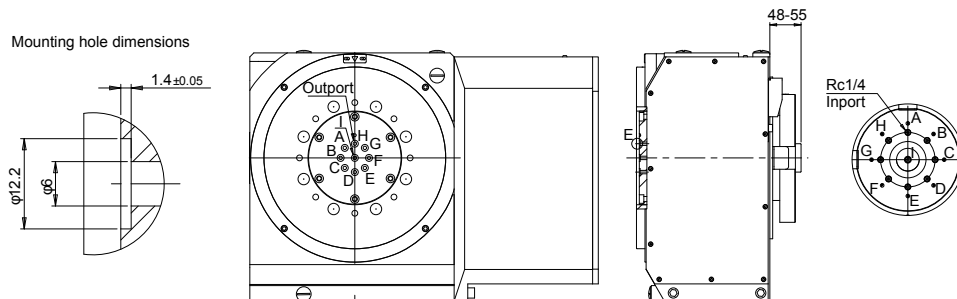


### External

#### RCC170, 200



#### RCC250, 320, 400



## Rotary Joints

### Built-In

RS100, 170, 200, 240

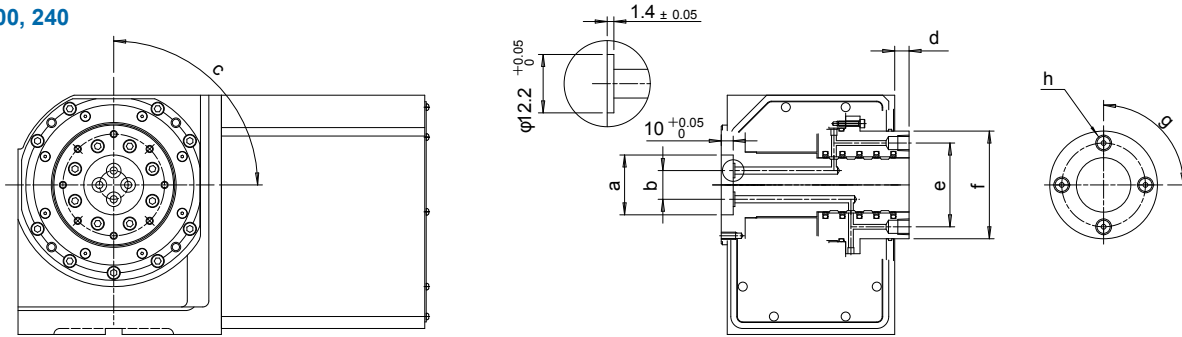
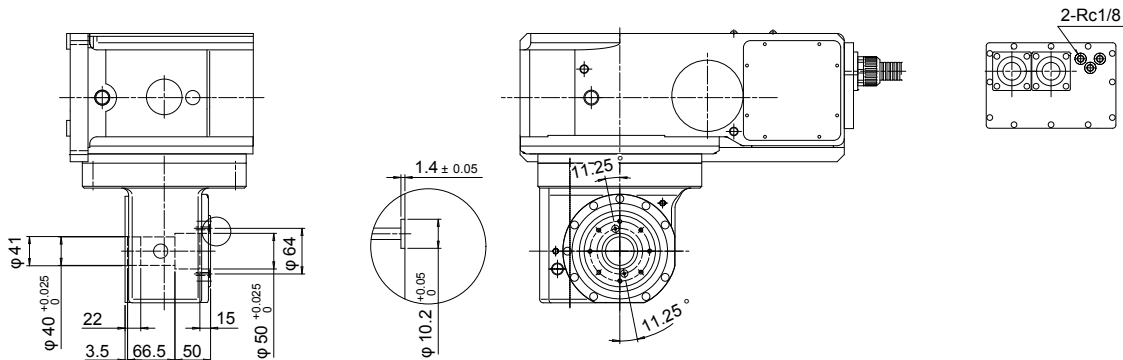


Figure applies to models RS100 & RS240.  
The RS170 and RS200 have a different shape at d and f.

Model	Size (mm)							
	a	b	c	d	e	f	g	h
RS100	$\phi 50 +0.025/-0$	$\phi 24$	90°	12	$\phi 70$	$\phi 90$	90°	4-Rc1/4
RS170	$\phi 80 +0.03/-0$	$\phi 30$	72°	-	$\phi 80$	-	72°	5-Rc1/4
RS200	$\phi 80 +0.03/-0$	$\phi 30$	72°	-	$\phi 80$	-	72°	5-Rc1/4
RS240	$\phi 80 +0.03/-0$	$\phi 30$	72°	26	$\phi 80$	$\phi 184$	72°	5-Rc1/4

### Built-In

RT100



## Compatible Servomotor Models

	Model	FANUC	MITSUBISHI	YASKAWA	SANYO	OKUMA
RCC series	RCC170	aiF2/5000	HF105BS		R2AA08075FCP	BL-ME24J-50SB
	RCC200	aiF4/5000	HF104BS		R2AAB8100FCP	BL-ME40J-40SB
	RCC250	aiF8/3000	HF154BS			BL-ME80J-40SB
	RCC320	aiF12/3000	HF204BS			BL-ME120J-40SB
	RCC400	aiF22/3000	HF303BS			BL-ME200J-30SB
RS series	RS100	ais2/5000	HF-KP43JW04-S6	SGMAH-04A2A2S	R2AA08040FCP	
	RS170	ais2/5000	HF-KP43JW04-S6	SGMAH-04A2A2S	R2AA08040FCP	
	RS200	ais4/5000	HF-KP73JW04-S6	SGMAH-08A4A2S	R2AAB8075FCP	
	RS240	ais4/5000	HF-KP73JW04-S6	SGMAH-08A4A2S	R2AAB8100FCP	
RT series	RT080	Rotary axis	$\beta$ is1/6000	HF-KP43JW04-S6	SGMAH-04A2A2S	R2AA06040FXP
		Tilt axis	$\beta$ is1/6000	HF-KP43BJW04-S6	SGMAH-08A4A2D	R2AA08075FCP
	RT100	Rotary axis	ais2/5000	HF-KP43JW04-S6	SGMAH-08A4A2SJ	R2AAB8075HXP
		Tilt axis	ais4/5000	HF-KP73BJW04-S6	SGMAH-08A4A2D	R2AAB8100FCP
	RT160	Rotary axis	ais4/5000	HF-KP73JW04-S6		
		Tilt axis	ais8/4000	HF154BS-A48		