

Rusach International WS-Series: NC Rotary & Tilting Tables

200mm thru 1,800mm+



Made in the USA



The Rusach Advantages

Application

Additional rotary and tilting axis for your machine. High accuracy and loading capacities make these tables suitable for machining and metrology applications. Ideal for small to large sized milling machines, vertical machines, horizontal boring machines, bridge and gantry machines. Special design series, table surface is above the cradle allowing for larger parts or a large adapter/fixture plate. Base has a smaller foot print over our 3-Series rotary tilt tables. We can design units for very heavy weight capacities & very large parts with this style rotary table. Ideal for very large & heavy welding applications!

Bearing

Preloaded axial-radial roller bearings incorporated to provide high rigidity in both planes. Sensitivity and fine positioning ensured.

Clamping

Distortion free passive clamping by preloaded spring elements and hydraulic release.

Measuring System

Standard mechanical accuracy of +/- 15.0 Arc Seconds. High precision Heidenhain encoders are offered for increased accuracies to +/-1.0 arc seconds.

Motors

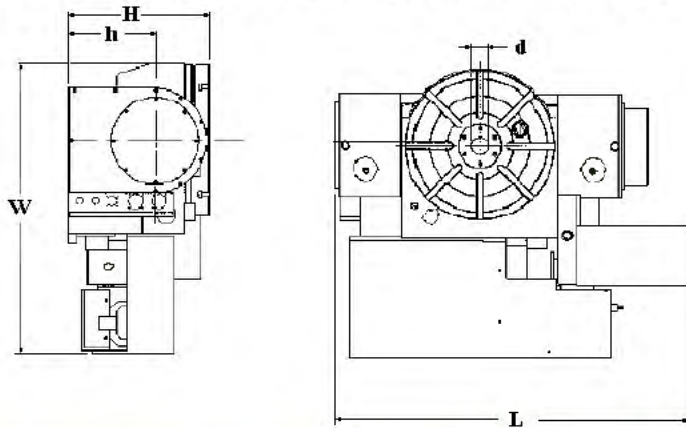
DC and AC servo motors.

Construction

Modular design permits freedom to match application requirements. Worm gear drive specially configured for maximum torque and minimum (adjustable) backlash.



WS-Series: NC Rotary & Tilting Tables



Technical Data		Unit	WS2	WS3	WS4	WS6	WS8	WS10	WS12
Type Designation			200	320	450	630	800	1,000	1,250
			320	450	630	800	1,000	1,250	1,800
Table Platen Size	mm		200	320	450	630	800	1,000	1,250
		inch	7.87	12.60	17.71	24.80	31.50	39.37	49.21
	mm		320	450	630	800	1,000	1,250	1,800
		inch	12.60	17.71	24.80	31.50	39.37	49.21	70.87
T-slots	Size Number	mm	10	14	18	18	18	22	28
			6	6	8	8	8	12	16
Dimension	L	mm	667	845	1,075	1,400		1,950	
		inch	26.26	33.27	42.32	55.12		76.77	
	W	mm	593	700	865	975		1,475	
		inch	23.35	27.56	34.06	38.38		50.07	
	H	mm	260	280	320	645	745	1,000	1,300
		inch	10.25	11.02	12.60	25.40	29.33	39.37	51.18
		mm	280	315	470	695	830	1,080	1,430
		inch	11.02	12.40	18.50	27.36	32.68	42.52	56.30
Tilting Axis Height	h	mm	135	160	260	450	525	700	925
		inch	5.31	6.30	10.24	17.71	20.67	27.56	36.42
		mm	170	205	340	450	525	700	925
		inch	6.69	8.07	13.38	17.71	20.67	27.56	36.42
Centre Bore Ø H7	d	mm	32	32	50	50	50	80	100
		inch	1.26	1.26	1.97	1.97	1.97	3.15	3.94
Maximum Standard Tilt Range	deg		0 to +90	0 to +90	0 to +90	0 to +90	0 to +90	0 to +90	0 to +90
Dead Weight	kg		130	350	600	900	1,600	4,700	6,500
	lb		287	772	1,323	1,985	3,528	10,363	14,332
			230	500	850	1,100	1,800	5,200	7,500
Permitted Load	kg		150	315	500	800	1,250	2,000	4,000
	lb		330	695	1,102	1,764	2,756	4,410	8,820
Permitted Moment of Load	Nm		100	150	250	800	2,000	5,000	20,000
	ft lbs		74	111	184	590	1,475	3,688	14,750
Clamping Torque (Rotary)	Nm		600	1,800	4,000	9,000	14,000	15,000	35,000
	ft lbs		443	1,328	2,950	6,638	10,325	11,063	25,815
Clamping Torque (Tilt)	Nm		400	1,000	2,500	3,500	5,000	20,000	40,000
	ft lbs		295	738	1,845	2,583	3,687	14,751	29,502
Parallelism	mm		.010	.010	.010	.020	.020	.030	.030
	inch		.0004	.0004	.0004	.0008	.0008	.0012	.0012
Faceplate Wobble	mm		.005	.010	.010	.010	.015	.020	.020
	inch		.0002	.0004	.0004	.0004	.0006	.0008	.0008
Runout of Centre Bore	mm		.0025	.005	.008	.010	.010	.010	.010
	inch		.0001	.0002	.0003	.0004	.0004	.0004	.0004

Available Options

- Hand Scraped Table Top Surface
- Customized Table Top
- Workpiece Clamping System
- Prepared for Pallet System
- Alternative Measuring Systems Made by Heidenhain
- Alternative Tilt Angles (Std. 0-90)
- Prepared for Linear Axis Saddle
- Air Inlet for Internal Pressurization
- Various Motors and Intermediate Gear Boxes
- Hydraulic Unit for the Clamping System
- Other Paint Surface Finishes
- NC Systems to Suit Your application
- Custom Applications and Much Larger Units Possible
- Adapter Plates for Larger Work Pieces

Standard Resolution

.0001 degree (others on request)

Standard Accuracy

+/-15 Arc Seconds. (Higher on request)

Painted Surface Finish

RAL-color range in textured surface finish

For other specifications please contact our technical department. The rights for technical modifications are reserved.

Reference dimensions only. Approval prints are supplied on all tables.

